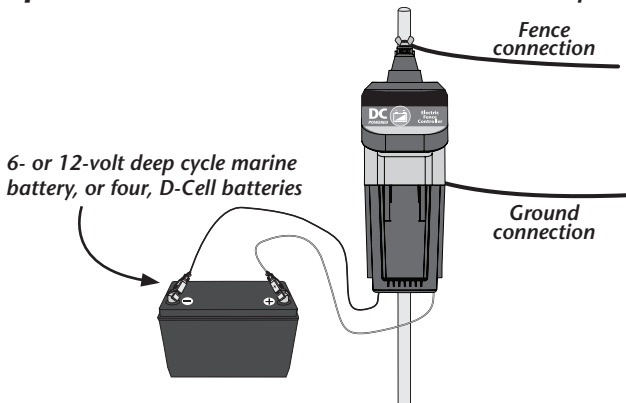


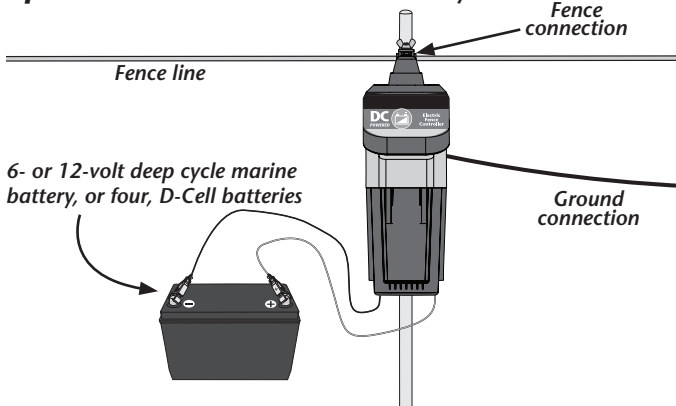
B10LI Fence Controller Installation

Overview of Installed Fence Controller

Option 1: Connect to fence line via 20KV hook-up wire



Option 2: Connect to fence line directly



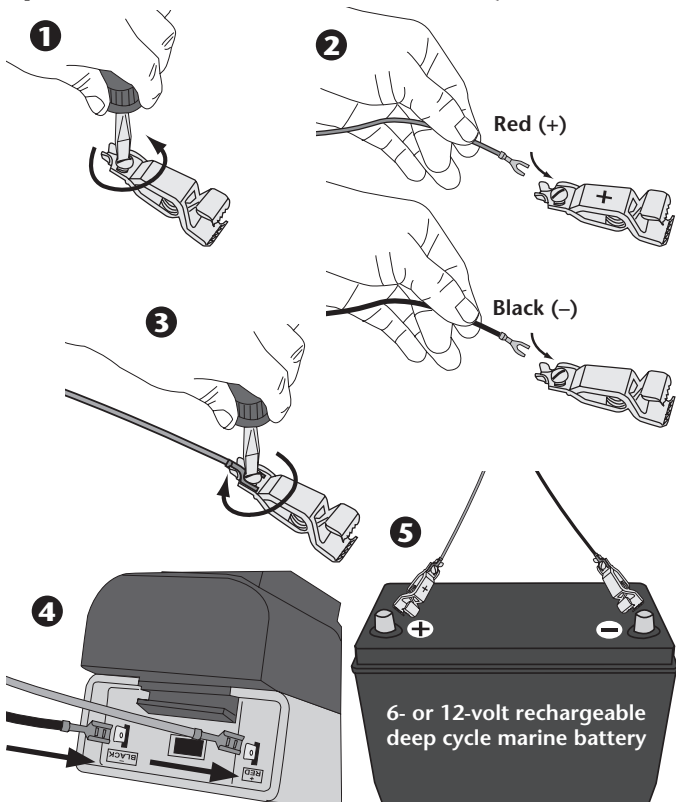
STEP 1: Connect to Battery

▲ **WARNING:** Never connect a battery powered fence controller to an AC power supply.

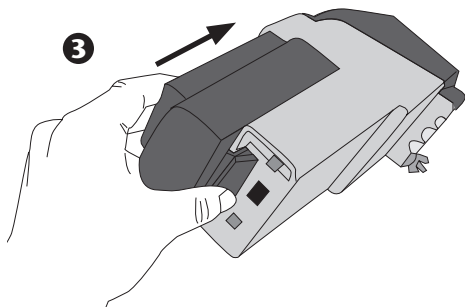
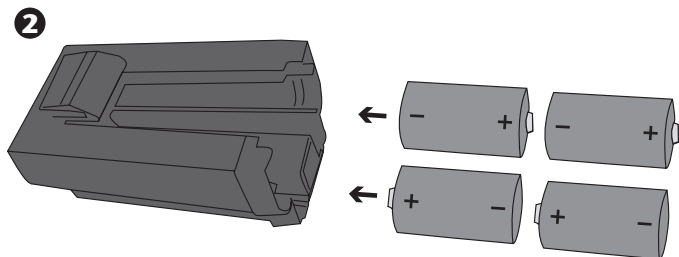
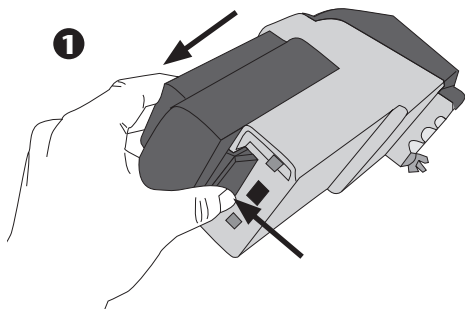
NOTE: Ensure switch is in the OFF position.



Option 1: Connect to 6- or 12-volt battery

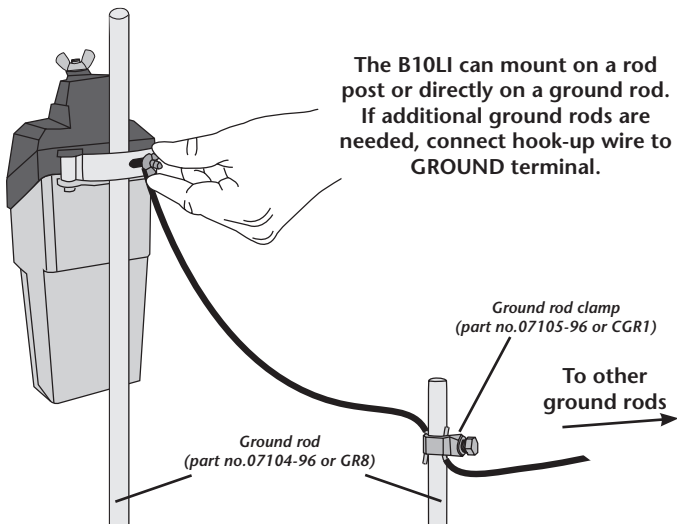
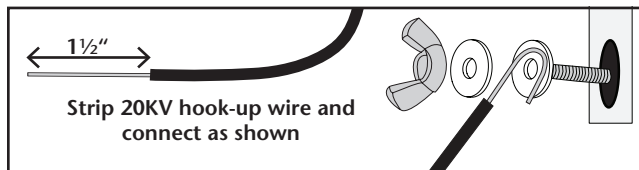


Option 2: Install four, 1.5-volt/D-Cell batteries



STEP 2: Mount Fence Controller/Connect Ground

NOTE: B10LI does NOT need to mount in a waterproof enclosure



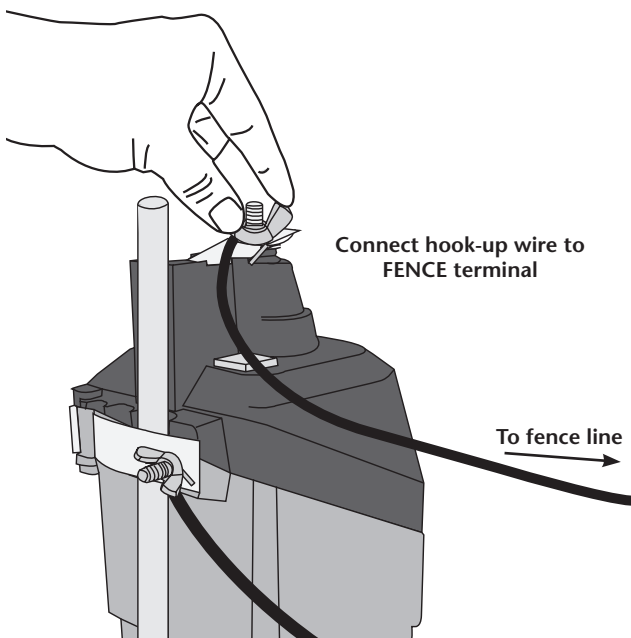
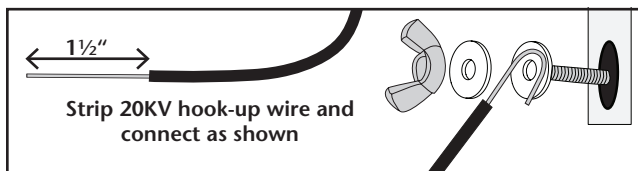
Check ground system reliability

- IMPROPER GROUNDING WILL AFFECT THE PERFORMANCE OF YOUR FENCE CONTROLLER! See page 22 for more information about proper grounding.

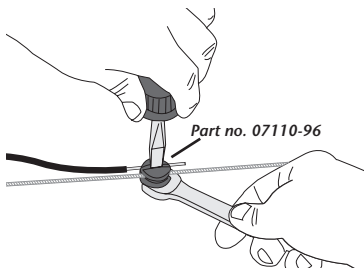
- ① **Tip:** The fence controller must be grounded sufficiently for the system to work effectively. Improper grounding can also cause interference on telephone lines, radios and television and could invalidate your warranty.

STEP 3: Connect Fence Terminal

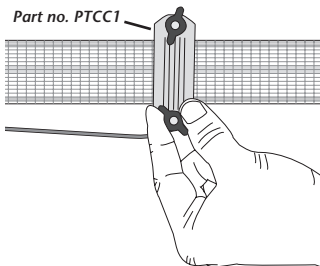
Option 1: Connect to fence line via 20KV hook-up wire



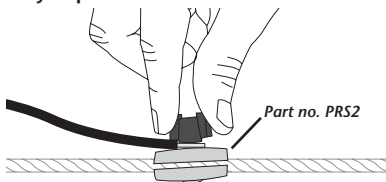
Aluminum/Steel/Poly wire connection



Poly tape connection



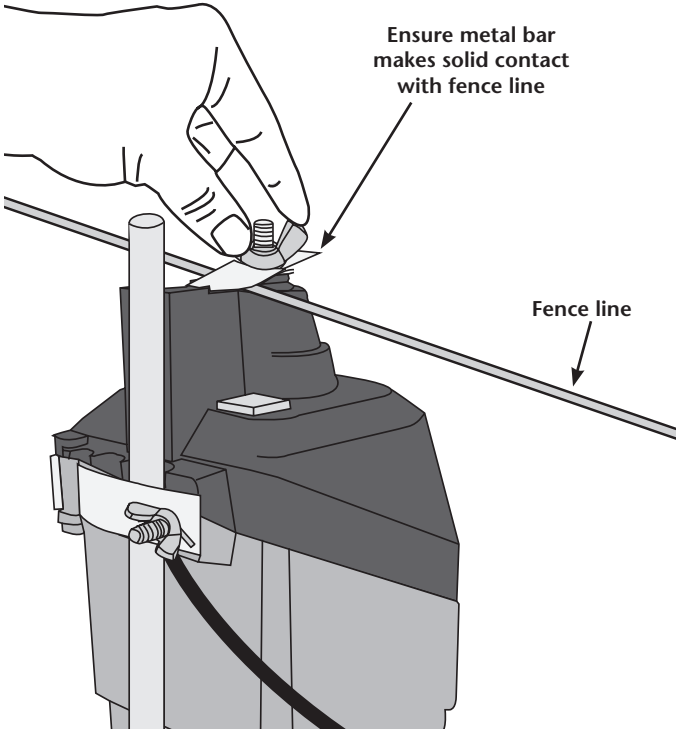
Poly rope connection



Check fence system reliability

- IMPROPER CONNECTION POINTS WILL AFFECT THE PERFORMANCE OF YOUR FENCE CONTROLLER!
- Make sure splices and insulators are sound and secure.

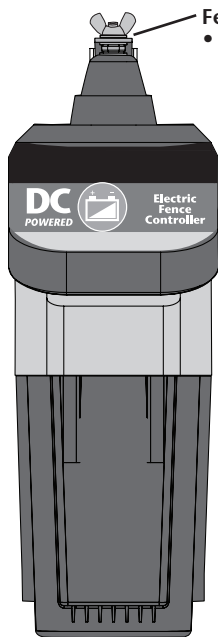
Option 2: Connect directly to fence line



Check fence system reliability

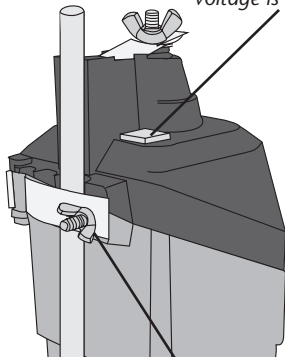
- IMPROPER CONNECTION POINTS WILL AFFECT THE PERFORMANCE OF YOUR FENCE CONTROLLER!
- Make sure splices and insulators are sound and secure.

B10LI Fence Controller Operation



Fence terminal
• connect to fence line

Fence OK
• light flashes when voltage is on fence line



Ground terminal
• connect to additional ground rods

ON2 Setting (low power)

- for short fences
- maximizes battery life

ON1 Setting (high power)

- for longer fences or animal training
- will reduce battery life

