

# Installation Manual



Safe, Secure, Simple

**ELECTRO**  **BRAID**<sup>®</sup>  
**FENCE**

Permanent Electric Fencing

Highly Visible Pure Copper & Polyester Braid<sup>™</sup>

ElectroBraid.com

**855-EBFENCE**

**(855-323-3623)**



**For warranty information,  
please visit  
[ElectroBraid.com](http://ElectroBraid.com)**

# **ELECTRO** **BRAID**<sup>®</sup> **FENCE**

---

**READ THE FOLLOWING  
INFORMATION CAREFULLY.**

**Failure to follow these  
instructions could result  
in injury to persons  
and/or livestock.**

---



---

## **Installation Manual**

Published 2014

---

This Manual may differ from the original manufacturers' instructions for some products because this manual is specific to the ElectroBraid<sup>®</sup> Fence System.

**Phone Toll Free: 855-EBFENCE  
855-323-3623**

**Email: Consumers@woodstream.com**

**ElectroBraid.com**

**69 N. Locust Street • Lititz, PA 17543**

**America's #1 Electric Horse Fence**

Congratulations on your decision to purchase an ElectroBraid<sup>®</sup> Fence for your horses. We know you will be extremely pleased with the ease of installation, minimal maintenance, safety and performance. Hundreds of hours have gone into testing our system to ensure high quality.

This installation manual can help you properly install your ElectroBraid<sup>®</sup> Fence. It is **IMPORTANT** you follow these instructions to minimize maintenance and maximize safety.

We have tried to include as much detail as possible; however, it is impossible to cover every application. If you have a question, please call and we will do our best to assist you.

**Call us toll free at 855-EBFENCE or e-mail us at info@ElectroBraid.com.**

For Warranty information, please visit [ElectroBraid.com](http://ElectroBraid.com)

# Table of Contents

ElectroBraid® Commitment to Safety .....	3
Steps for Successful Electric Fencing .....	3
Planning .....	4
Calculating Your Needs .....	5
Tools Required.....	7
Getting Started – Line Spacing .....	7
Installing Corner and End Posts/Bracing .....	8
Installing Insulators on Corners and Gates and End Posts/Bracing .....	11
Using Trees For Corner, End & Line Posts .....	12
Installing Line Posts .....	13
Installing Wood Line Posts .....	14
Installing T-Post Line Posts .....	14
Running your Lines.....	14
Tension Kit Assembly .....	15
Tensioning ElectroBraid® .....	16
Splicing ElectroBraid® .....	18
Electrifying the Fence .....	18
Choosing your energizer .....	18
Grounding System .....	19
Wiring your energizer.....	20
Wiring the energizer for areas of high snowfall.....	21
When to wire gates .....	22
Wiring gates .....	22
Wiring gates in areas of high snowfall .....	23
Using Gate Handles for gates .....	24
Testing your Fence.....	25
Trouble Shooting.....	26
Do's & Don'ts – Safety and Maintenance .....	27
Hiring a Professional Fence Installer .....	28
Fault Finding Chart.....	29

**FOR THE SAFETY OF YOUR ANIMALS ALWAYS  
KEEP YOUR FENCE ELECTRIFIED.**

**NEVER LEAVE ANIMALS UNATTENDED WITHIN  
A NON-ELECTRIFIED FENCE.**

# ElectroBraid® Commitment to Safety

The ElectroBraid® System is designed to minimize injuries to horses. Equally important, you must provide correct installation and proper maintenance.

A collision with a rigid fence is the most frequent cause of serious horse injury. ElectroBraid® is not rigid – it is resilient, like a boxing ring. When a horse at full gallop impacts ElectroBraid®, it usually bounces right back, with no damage to horse or fence.

ElectroBraid® is a psychological barrier. Always maintain at least 5,000 volts and a good grounding system to ensure your horse will receive a significant electric shock – not just a “bee-sting”. The shock from a UL or CSA approved energizer won’t harm your horse, because the shock is very low amperage for a tiny fraction of a second, but your horse will always respect ElectroBraid® in the future.

Injuries with ElectroBraid® are very rare. If an incident occurs, please call 1-855-EBFENCE so we can discuss the circumstances with you. Hopefully, we can together take corrective action to prevent any future injury.

## Steps for Successful Electric Fencing

### 1) The Right Energizer for the Job.

There are a variety of energizers on the market but we only recommend low impedance energizers Certified Safe by UL or CSA. They put out a very short, low amperage pulse of electricity, which will not harm an animal or child. NEVER use "Weed Burners", "Weed Choppers" or continuous current fencers - these energizers have been banned in many areas as a fire and safety hazard and will damage ElectroBraid®.

### 2) Install a Good Ground System.

Poor or improper grounding causes 95% of all electric fencing problems. You can have the most powerful energizer in the world, but if the ground return is poor, your fence will not perform. Use a minimum of three copper clad ground rods spaced at least 10 feet apart. Use a "hot-cold" system, grounding the next-to-top strand. Electrify all other strands. With dry or sandy soil, you may need more ground rods.

### 3) Use Recommended Materials.

Do not use make-shift insulators, ordinary electrical wire, or materials we do not recommend. Copper clad ground rods, brass-coated poly rope splicer connectors and copper lead-out wire prevent corrosion due to electrolysis, provide optimum electrical conductivity, reduce maintenance and increase the life of your fence.

### 4) Check your Fence Regularly.

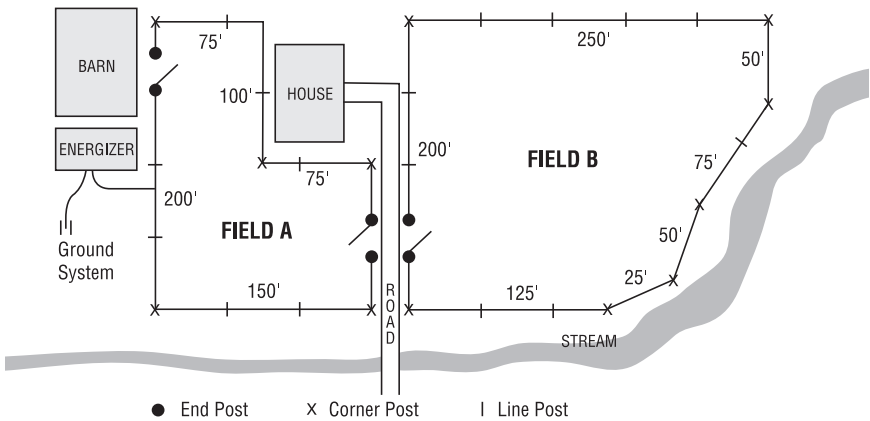
Don't wait for something to go wrong. Check the voltage on your fence regularly using a reliable fence voltmeter. Track down and correct any electrical shorts. Check the tension on the Braid™ on a regular basis to ensure each strand is tight - posts can move due to frost heave or impact - re-set the post and re-tighten each strand.

# Planning your ElectroBraid® Fence

Take the time to plan: The installation of any fencing system begins before the first post is driven. The secret to getting the best value for your dollar is to take the time to thoroughly plan before you start construction.

Check Local Laws and Ordinances: laws governing fences and electric fencing vary from county to county. Get the answer to questions such as: "How far must a fence be from a roadway?", "Can an electric fence be used in a suburban area?", and "Are warning signs required?". Check with your County Extension Office or your City Clerk's office.

## Sketch Your Map:



Begin by drawing a map of your property, including all major features: buildings, roads, fields, swamps, woods, gullies, streams and other features. Be sure to include: power, telephone, gas and oil lines as well as underground cables.

- Mark the location of each end and corner post.
- Mark the location of each line post based on the separation you wish to use
- Mark the location of the energizer close to an electrical outlet
- Calculate the total length of your fence
- Choose the number of strands of Braid™ you wish to use. We recommend 3 or 4 stands.
- Choose the type of line post you wish to use (wood, vinyl, or T-posts)

# Calculating Your Needs

## ElectroBraid® Reels:

Multiply the length of your fence by the number of strands you wish to use and divide by the length of reel you will be purchasing = \_\_\_\_\_. This is the number of reels you will need.

## ElectroBraid® Roller Insulators for End Posts, Corner Posts, Dips and Rises:

1. Add the number of corner posts and the number of end posts and multiply by the number of strands = \_\_\_\_\_.
2. Count the number of Line posts with vertical changes in direction (hills, gullies, etc) and multiply by the number of stands = \_\_\_\_\_.
3. Add these two numbers together (\_\_\_\_ + \_\_\_\_\_) = \_\_\_\_\_. This is the number of ElectroBraid® Roller Insulators you require.

## Line Post Insulators for Brace Posts at Ends and Corners:

1. Multiply the number of end posts by the number of strands = \_\_\_\_\_.
2. Multiply the number of Corner posts by the number of strands and multiply by two = \_\_\_\_\_.
3. Add these two numbers together = \_\_\_\_\_. This is the number of Line Post Insulators you will require for Brace Posts.

## Line Post Insulators for Line Posts:

1. Count the number of line posts and multiply by the number of strands = \_\_\_\_\_. This is the number of Line Post Insulators you will need for Line Posts.
2. Depending on the type of line posts you plan to use, these may be the same or a different insulator from the Line Post Insulator you plan to order for your Brace Posts (see above).

## Insulated Copper Lead Out Wire:

1. Add the widths of all your gates together and multiply by 2 = \_\_\_\_\_ plus 20ft for each gate = \_\_\_\_\_. If you wish to use the Winter Wiring configuration as explained on pg 23 then add the widths of your gates together and multiply by the number of strands on your fence = \_\_\_\_\_ plus 30ft for each gate = \_\_\_\_\_.
2. Measure the distance from your Energizer to the nearest point on your fence = \_\_\_\_\_.
3. Measure the distance from your Energizer to where your ground rods will be located = \_\_\_\_\_.
4. Measure the distance from your ground rods to the nearest point on the fence = \_\_\_\_\_.

5. Add these numbers together = \_\_\_\_\_ plus a minimum of 10' for the distance between ground rods = \_\_\_\_\_. This is the minimum length of Lead Out Wire you will need.

Consider allowing for some extra wire for possible additional ground rods, miscalculations and/or changes in your fence design.

### **Poly Braid™ Splicer Connectors:**

1. Count the number of End Posts and multiply by the number of strands = \_\_\_\_\_.
2. Count the number of fence lines that exceed 1000 feet and multiply by the number of strands = \_\_\_\_\_.
3. Add one poly Braid™ splicer for each electrical connection.
4. Add these two numbers together = \_\_\_\_\_. This is the number of Poly rope splicers you need.

### **Energizer:**

See "Choosing your energizer" (Page 18)

### **Ground Rods:**

You will require a minimum of 3 ground rods and probably more if your fields are large or your soil conditions are poor. Use a minimum of three 8' ground rods, or three 6' ground rods.

### **Tensioning Kit:**

You will need at least one ElectroBraid® tensioning kit to tighten the Braid™. A second tensioning kit is required for paddocks 1 acre and larger in order to properly tighten the fence.

**NOTE-Tensioning kits are re-usable tools and are not left on the fence.**



# Tools Required

To install your ElectroBraid® Fence you need the following tools:

- ElectroBraid® Tensioning Kit(s)
- Hammer
- Handheld Post Pounder\*
- Spade or Shovel
- Black Electrical Tape
- Measuring Tape
- Utility Knife
- Cigarette Lighter
- Two Ratchet Handles with Sockets
- Adjustable wrench
- Safety Glasses

**NOTE: For Ground Rods and T-Posts you will have to purchase a post pounder from your local agriculture supply store.**

## Getting Started – Line Spacing

The corner and end posts must be strong enough to withstand the forces that would be transmitted if a horse were to strike the fence at speed. We suggest setting your top strand at withers height (or at least shoulder height) of your tallest horse and the bottom strand somewhere between hock and fetlock based on your specific needs or preference. You should then install the balance of the strands by spacing them equally.

# Installing Corner & End Posts/Braces

ElectroBraid® is a tension system which requires proper bracing.

For proper performance, ensure each of the following are properly braced:

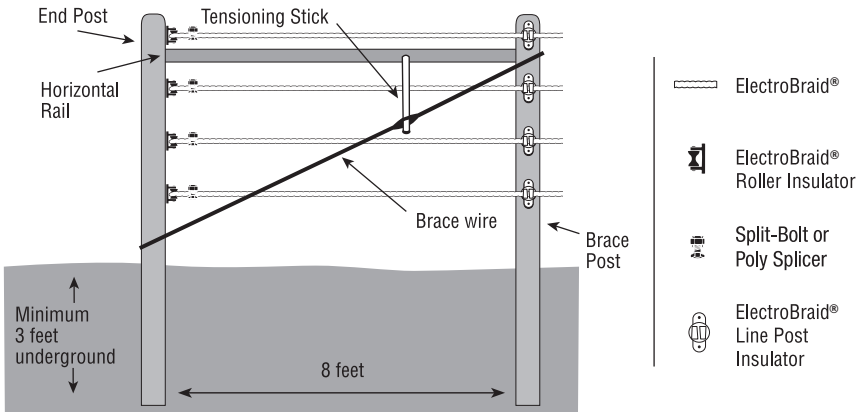
**CORNERS** – Any change in direction greater than 20 degrees should be considered a corner and properly braced.

**ENDS** – You normally have an end post where you terminate or start a fence:

For a gateway

To divide an existing paddock into sections (cross fencing).

To start or terminate a run (e.g. the side of a barn).

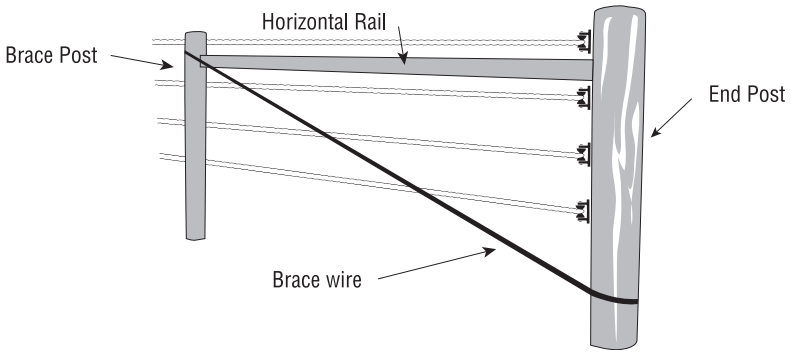


## IN-LINE BRACING –

Whenever you fence a long, straight run you need to terminate and install a brace system every 2000 feet to maintain tension on the Braid™.

Proper Bracing will increase the effectiveness of your fence and reduce maintenance caused by post shifting. Incorrect or insufficient bracing may lead to fence failure and may be dangerous to you and your horses.

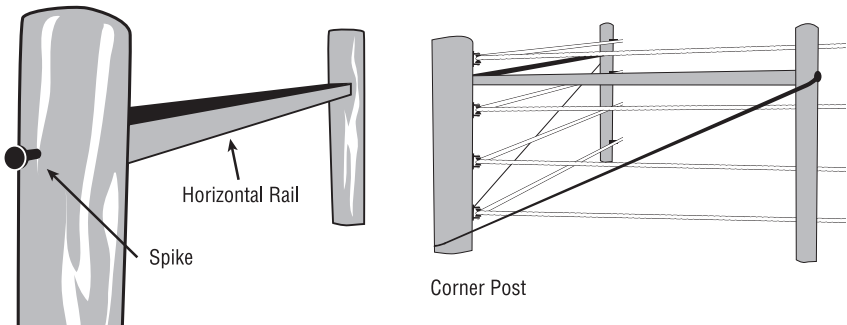
After properly clearing the area you intend to fence, install all corner, end and gate posts. We recommend your posts be at least 5" to 6" in diameter (pressure treated for longevity). How deep to set the posts will depend on the type of soil and the exposure to frost in winter. Ensure all bracing has been completed BEFORE proceeding with installing ElectroBraid®.



Posts should be set a minimum of 3 feet into the soil. In areas where the ground does freeze, posts must be set to extend below the frost line. Failure to do so may cause your posts to shift, allowing the tension on the Braid™ to relax. In loose soil conditions such as sand or mud, consider cementing your posts or driving them deeper. Please check with your county office or contractor to determine the local frost line or possible special bracing needs based on your specific soil or geographic area.

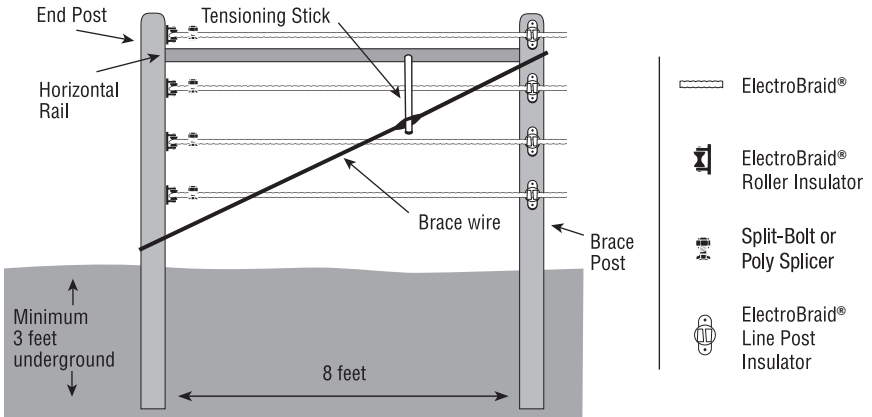
## H-Brace

For most installations, we recommend a style known as the Horizontal or H-Brace. After setting your corner post, end post or gate posts in the ground at the proper depth for your soil conditions, measure 8' down the fence line to locate where to place your brace post. Once it is securely placed, set your horizontal rail halfway between the planned location of your top two strands of Braid™ (see diagram). Drive a brace pin through the back of the posts and into the horizontal rail. Leave the spike to protrude 1/2" at the back of the brace post to hold the brace wire. The brace pin should go through the brace post and penetrate at least 3" -4" into the horizontal rail.



If your corner, end or gate post is large in diameter, you may want to pre-drill a hole for the brace pin through the post and into the end of the rail.

After your posts and horizontal rail have been set you can now set your brace wire. Use a piece of ElectroBraid® and loop it around both posts, going from the bottom of the end post to the top of the brace post. Pull the ends together and fasten them by tying a knot or with a poly rope connector, (See Splicing ElectroBraid®). Set a nail at an appropriate location on the end post so the brace wire will not slide up. For brace wire you can use any material meant to have longevity for an outdoor, high tension use such as ElectroBraid® or hi-tensile wire.



**NOTE: To prevent an electrical short, make sure the brace wire and tensioning stick cannot contact any ElectroBraid® strands.**

Ensure all braces have been completed BEFORE installing ElectroBraid®.

# Installing Insulators on Corner, End & Gate Posts

After setting all corner, end and gate posts and correctly bracing them, you are ready to fasten insulators. Since wood conducts electricity, you must use insulators on all posts, including brace posts, to eliminate electrical shorts.

Use ElectroBraid® Roller Insulators. They are specially engineered:

- To eliminate friction when tensioning
- For safety
- For durability
- For ease of installation

Measure and mark the location of each of your planned strands of Braid™ on one of your end posts then make a jig to help you mark your other posts. (A jig is simply a stick on which you indicate the position of each insulator so you don't have to measure at every post).

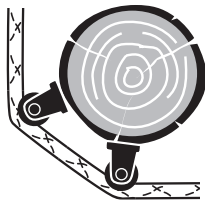
Attach ElectroBraid® Roller insulators by using 2 ½" # 8 rust resistant screws to hold the insulator in place. **CAUTION - BE SURE NOT TO OVER TIGHTEN** the screws as this will bend the bracket of the insulator preventing the pin from setting properly possibly causing the roller to release. Complete the installation of insulators on your corner and end posts using the jig for spacing

## Installing ElectroBraid® Roller Insulators on Corners

The preferred method is to terminate the braid around the back of the post, as shown in the diagram



Top view of paddock with an Inside Corner.



To reduce the potential for leg injuries, posts should remain outside the fence.



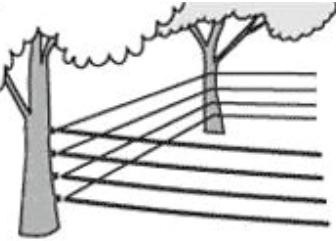
Use two ElectroBraid™ Roller Insulators around the back of the post to prevent the Braid™ from touching the wood.

# Using Trees For Corner, End & Line Posts

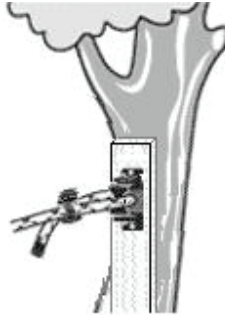
If you are running ElectroBraid® through a mature wooded area, you may want to use standing trees for posts. A mature tree (8" min) can provide an excellent brace however be certain to attach a 2x4 to the tree and then apply the insulators to the 2x4 to prevent the tree from growing over the insulators.

Note: Remove any brush that may come in contact with the fence.

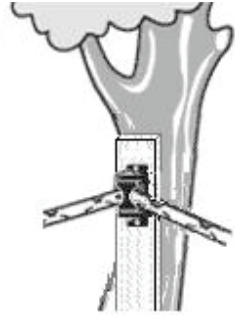
**WARNING: Avoid Small trees that can move in the breeze and wear the Braid™.**



Simply attach ElectroBraid Roller Insulators to trees as you would a wooden post.



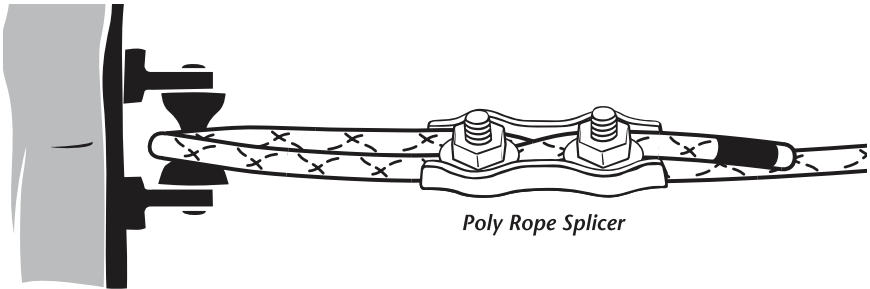
Tree as End Post



Tree as Corner

# Installing Line Posts

When you have completed the corner and end posts, you are ready to install your line posts and the line post insulators and start running your lines.



Starting at the end post, feed the leading end of the ElectroBraid® through the insulator and secure it to itself using a Poly Braid™ Splicer. The splicer should be about 2" from the end insulator. Leave at least 2" of ElectroBraid® outside the splicer. Tape, cut and singe the end to prevent fraying.

First you need a sight line. Starting at a gate or end post, feed the ElectroBraid® through the second insulator from the bottom and secure it using a poly rope splicer. Pick up the reel and begin to walk the fence line. Insert the ElectroBraid® behind each corner post insulator. When you get to the end post, insert the ElectroBraid® behind the end post insulator and secure it with a poly rope splicer. Attach the tensioning device and tighten (see Tensioning ElectroBraid®). Then loosen the Poly rope splicer, pull out the slack and re-tighten. The sight line you have created will help you position your line posts in a straight line.

On hilly terrain, install line posts at the peaks and in the valleys first, and then space the remaining line posts to suit the terrain. An ElectroBraid® Roller Insulator is recommended where there is a horizontal or vertical change in direction. The use of other insulators could allow the Braid™ to pull out under tension.

**Note: Always work with the "lay" of the land. Place a post at the top of each rise and the bottom of each depression. Recommended distance between line posts is 30 to 50 feet. Reduce post spacing in hilly terrain and in areas of high snowfall.**

## Installing Wood Line Posts:

Using the installed strand of ElectroBraid® as a sight line, install your line posts. Mark the position for each insulator with your jig, and attach each line post insulator and each ElectroBraid® Roller Insulator to all posts.

Note: The ElectroBraid® Roller Insulator will withstand a greater force from a vertical change of direction than a conventional line post insulator. To install the Braid™ on a line post at a peak or a valley, first tension the Braid™. Then, after the Braid™ has been tensioned, remove the roller pin, place the Braid™ behind the roller and re-insert the pin ensuring the pin is set all the way by tapping it with a screw driver. The Braid™ may jam in the insulator if you insert the Braid™ behind the roller and then try to tension.

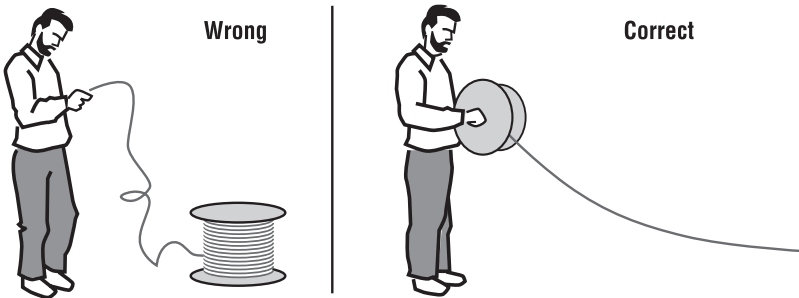
## Installing T-Post Line Posts:

Layout all your posts and mark each one for the depth to drive the post and the location of each insulator. Using the first strand of Braid™ as a sight line, use a post pounder to set your T-Posts, (**IMPORTANT: be sure your T-Posts are correctly oriented. The flat side of the T-Post should be on the inside of the paddock so the Braid™ will be on the inside of the paddock when attached to the insulators.**) Then attach your T-Posts insulators.

Note: A T-Post Cap provides an insulator for the top strand and also reduces the hazard of a horse being speared by a T-Post.

## Running your Lines

Pick up the reel and walk your fence line. At each line post, fasten the strand of ElectroBraid® to each insulator.



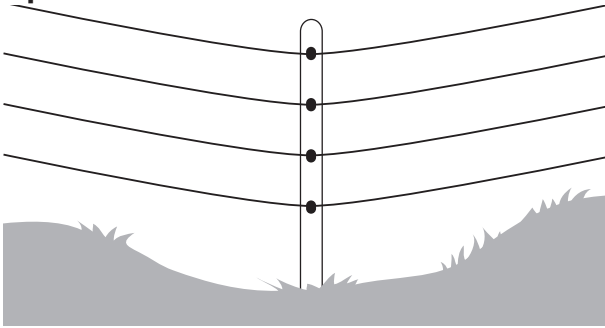
**DO NOT** take braid off one end of the spool. The Braid will kink and could be damaged. The correct method is to unroll the Braid and it will not kink. (See diagram)



Continue unrolling the Braid™ until you come to an end post where the strand will terminate. End the strand by attaching it to the end post insulator just as you did when you started the strand. Pull hard on the Braid™ to remove as much slack as you can before you apply the tensioning device. Clamp the ElectroBraid® to itself using a copper poly rope splicer approximately 2" from the insulator.

Note: When installing fence on rolling terrain, tension all lines first before attaching the Braid™ to the dip and ridge posts.

### Dip Post

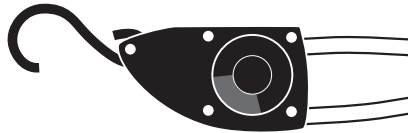


Important! Attach ElectroBraid® to dip and ridge posts AFTER tensioning.

## Tension Kit Assembly



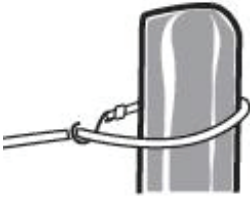
Tie the "S" Hook on one end of the ratchet rope.



Insert the ratchet rope opposite the release switch, around the ratchet wheel and back the opposite direction. Make sure that the ratchet rope travels all the way around the wheel and underneath the housing pin.

# Tensioning ElectroBraid®

After a strand of Braid™ is installed, you can apply the ElectroBraid® tensioning device.



Wrap the end of the ratchet rope with the "S" Hook around the post and fasten it to the ratchet rope.



Position the clamp on the strand you are tensioning and attach the clamp to the "S" hook on the ratchet as shown.

Pull as hard as you can. Do not tension the Braid™ with a tractor, come-along or other mechanical device. The ratchet can handle 250 lbs. before it will slip, so do not worry about over-tensioning when tightening by hand as you must release the rope to apply the poly rope splicer which will allow it to slip within tolerance level. When you can't pull anymore, loosen the poly rope splicer, pull out the slack you have created and re-tighten the poly braid splicer. To release the ratchet, apply pressure to the rope while pressing on the release switch, and allow the rope to slide out carefully.

## **CAUTION: ALWAYS USE EYE PROTECTION WHEN TENSIONING.**

It is possible for a poly rope splicer to slip and/or insulator to break. It can become a dangerous projectile.

Wrap black electrical tape around the Braid™ before you cut it. Using a utility knife cut the ElectroBraid® and then melt both ends with a lighter.

NOTE: Always tape ElectroBraid® before you cut it. Always singe the end until it melts so the rope won't fray when the tape wears off.

Loosen and remove the tensioning device and return to the post at the beginning of the strand. Just as you tensioned the Braid™ where you terminated the strand, tension once again at the post where you began. Tensioning from both ends helps to ensure you get full and even tension on the line.

**NOTE: Let the ElectroBraid® sit for 24 hours after initially tensioning and then check the tension on each strand again. Re-tension, after 24 hours to complete the tensioning process.**

ElectroBraid® maintains its tension very well so you will not have to constantly re-tension. However, if one of your posts moves due to frost or the impact of an animal or vehicle,

the ElectroBraid® will need re-tensioning. Re-set the post and apply the tensioning device to re-tighten the Braid™. Consider strengthening your bracing to ensure the post won't shift again.

If you are fencing a paddock or pasture an acre or larger, we recommend you tension from corner to corner. To do this you will require a second tensioning kit. Starting at an end post, walk the perimeter until you come to the first corner. Tension this corner.

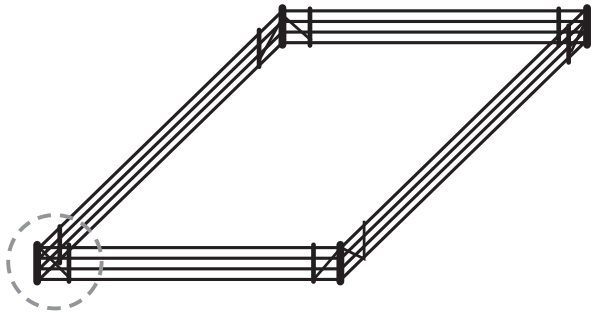
Go to the next corner and repeat the process. After tensioning, return to the first corner and remove the ratchet. Repeat this process until you have tensioned the entire perimeter of your fence.

Remember you must terminate the ElectroBraid® after every 2000 feet if in a straight line. Do this by installing an In-Line H-Brace. (See page 9)

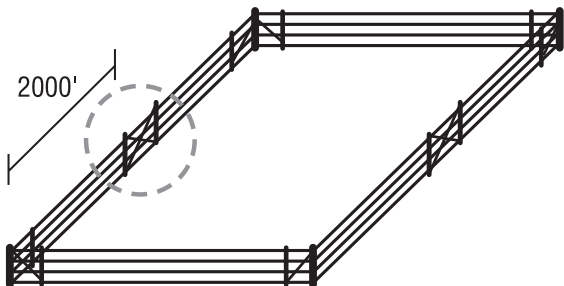
The ElectroBraid® Tensioning Device does not stay on the fence and is to be stored until needed.

For large pastures.

Tighten at each corner post.

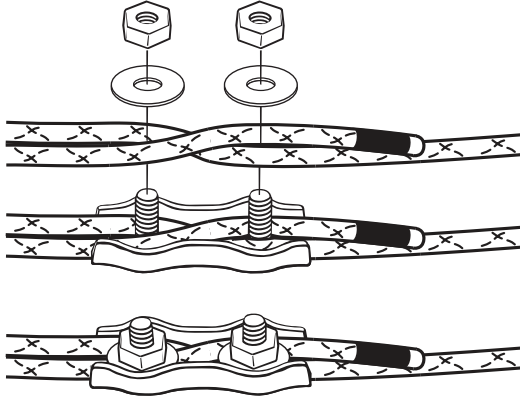


Tighten, clamp and terminate at in-line brace posts.



# Splicing ElectroBraid®

When you end one reel of ElectroBraid® and start another, you will have to splice the two reels together. Simply overlap the two ends of ElectroBraid® about 4" and then use a poly rope splicer to secure them together. Ensure there is direct contact between the copper strands in each strand of Braid™. Make sure you tape and single both ends of the Braid®.



## Electrifying the Fence

### Choosing Your Energizer

It is vital that the energizer you choose has sufficient power to meet your needs. The marketing of electric fence energizers is extremely competitive and manufacturers wildly overstate the length of fence each energizer can adequately electrify. 10% of the manufacturers' mileage rating should be used as a guide in choosing your energizer. ElectroBraid® energizers are rated based on the distance rating of one strand of Braid™ over a known distance, while under a known load from vegetation touching the Braid™.

**WARNING: Only use an ElectroBraid® LOW IMPEDANCE energizer that is UL or CSA approved. NEVER use an energizer labeled "WEED BURNER", "WEED CHOPPER", or continuous current fencer; they are unsafe and WILL damage ElectroBraid®.**

**WARNING: Never use regular house wire or ElectroBraid® for your electrical connections. Only use high voltage, heavily insulated, copper lead-out wire, copper clad ground rods and brass ground rod clamps.**

NOTE: To protect your energizer investment, we recommend a surge protector between the power source and your energizer.

# Ground System

First decide where to locate your energizer (also known as a “fencer” or “charger”). You can use a solar powered energizer or an AC powered energizer, but **an AC energizer is always more reliable**. Your AC energizer should be mounted on a wall indoors, away from flammable material and out of reach of children.

We recommend a minimum of three 8' or 6' copper clad ground rods spaced at least ten (10) feet apart in a triangular configuration. **Look for soil that is wet or moist year round** to place your ground rods. Dry, rocky, sandy or frozen soils may present special problems and more ground rods may be required.

Ground rods should be placed close to your energizer and near the fence line, but at least fifty feet away from any building, any underground piping, cable or other grounding system. A ground rod closer than 50 feet from a waterline (even if the waterline is plastic) may cause signal interference in your home computer, phone, radio or TV. Ground rods closer than 25' from the energizer may damage the energizer during electrical storms.

**Remember to attach clamps BEFORE driving ground rods, as the end of a ground rod may mushroom from pounding, making it impossible to slide a clamp over the end.**

When you have installed your ground rods, connect them with our heavily insulated copper lead-out wire, rated for at least 15,000 volts. Strip a ¾" length of the insulating jacket and secure with cable ties for a trouble-free, permanent installation. Secure connecting wires to the ground rods with brass ground rod clamps and cable ties. After all ground rods are connected, connect one ground rod to the negative terminal on your energizer. Finally, leave a loop of slack wire near each ground rod to allow for possible soil movement. Be sure the tops of the ground rods are buried below the surface of the soil to avoid ground wires getting broken or disconnected. Use small indicator flags to show where the ground rods are buried.

Do not confuse or combine ground rods for your house with ground rods required for an electric fence energizer. The ground rods used with a fence energizer act as receivers for electron flow. Grounding is one of the most critical elements in any electric fence system. Over 95% of all electric fence problems result from poor grounding.

For an electric fence to provide an effective shock, an electric circuit must be completed. That means the electrons passing along the fence must pass through the animal and then return back to the energizer. The electrons can return to the energizer either by traveling through the ground to the ground rods or through the negative (grounded) strand on your fence, which is connected to the negative terminal on the energizer.

Use a negative (grounded) strand on your fence so that you can add an extra ground rod, if needed, in a wet area near your fence. No matter how dry the soil condition, a negative strand on your fence will deliver a shock to any horse that touches both the negative (grounded) strand and a positive strand of Braid® at the same time.

**IMPORTANT:** Check with local utility companies to locate existing underground cables,

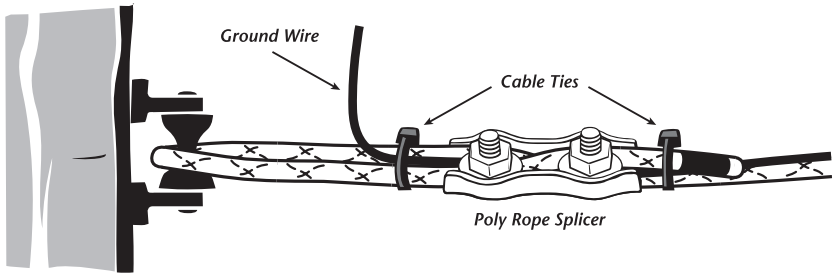
power lines or pipes before you install your fence posts and ground rods.

When you install a solar powered energizer, be certain to position it away from shadow or possible animal contact. Face the solar panel towards the equator or at an angle to allow maximum exposure to the sun.

TIP: Place your Solar Powered energizer outside, in direct sunlight for three consecutive days before connecting it to the fence, prior to using the energizer. This will allow the solar panel to bring the internal battery up to full charge prior to first use. Ensure the unit is turned "Off" while charging (failing to fully charge a battery before use will prevent the battery from ever reaching a full charge).

## Wiring your Energizer:

You can now connect your energizer to the ElectroBraid®. Run a length of copper lead-out wire from the positive terminal on your energizer to the top strand of Braid™. Feed the copper wire into a poly rope splicer, which is fastened to the strand



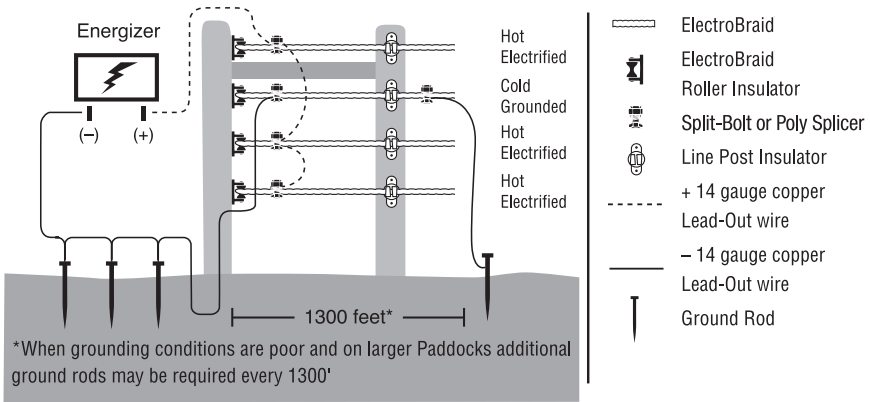
NOTE: For easier troubleshooting, you can use an extra Poly rope splicer to connect your electrical components. If you want to disconnect the electrical from a strand you will not have to use the tensioning device to hold the tension.

NOTE: Use of cable ties will prevent lead-out wire from breaking due to vibration. After the tension has been taken off the line you are electrifying, feed the copper wire from the energizer into the poly rope connector. While you have the poly rope splicer loose, cut and insert another piece of copper lead-out wire that will be used to jump the electricity to the third strand. Repeat for the fourth strand (this technique will allow you to easily disconnect the lower line(s) in case of heavy accumulation of snow fall which may cause the fence to short). Before inserting, pre-measure the proper length of the jumper wire and strip away 1" of insulation so the copper in the lead-out wire is exposed to ensure a good connection. After all leads have been connected, re-tighten the poly rope splicer, release the ratchet, and attach cable ties. Bury all wiring 8"-10" deep.

NOTE: We recommend you thread all positive wiring through a piece of 3/4" conduit (flexible Poly water pipe) to avoid abrasion and to prevent shorting between negative and positive wires. Bury the pipe 8" to 10" deep. Strap the ends of the pipe to the

gate posts with the ends turned down to prevent rain and dirt from filling the pipe.

## Standard Energizer Wiring Diagram



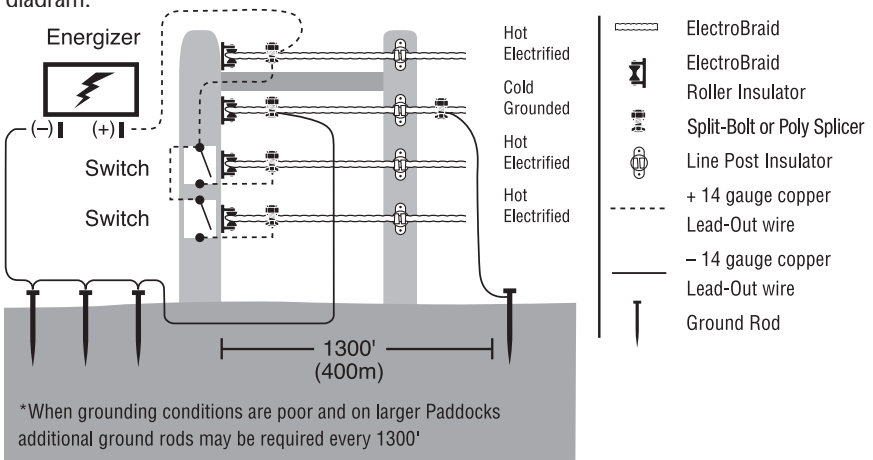
Negative ("Cold") Positive ("Hot") Wiring Diagram

## Wiring for areas of high snowfall

Negative ("Cold") Positive ("Hot") wiring Diagram

Heavy, wet snow can short electric fencing. To prevent this, fences in areas prone to snow accumulation can be wired as illustrated below.

Cut-Off switches can be installed to allow you to progressively turn on and off the bottom strands with the changing depth of snow. Wire your energizer as shown in the diagram.



## When to wire under a gate

### Wiring Gates

Dig a trench under your gate. If it is a narrow, walk through gate, 4"-6" deep will suffice. However, if heavy equipment, such as trucks or tractors will be going through the gate, the trench should be 8" to 10" deep.



This fence doesn't require wiring underneath the gate because no section of fence is isolated.



In each of these cases one gate will require underground wiring to carry the separate positive and negative circuits from the section that is electrified to the section that is isolated.



NOTE: We recommend you thread all positive wiring through conduit (a piece of  $\frac{3}{4}$ " flexible, Poly water pipe) to avoid abrasion and to prevent shorting between negative and positive wires. Bury the pipe 8" to 10" deep. Strap the ends of the pipe to the gate posts with the ends turned down to prevent rain and dirt from filling the pipe.

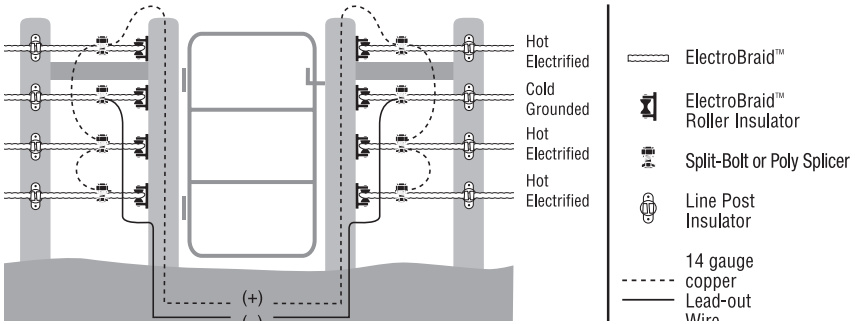
NOTE: The insulation on the underground wire should not breakdown at less than 15,000 volts. If the guard voltage is less than 15,000 volts, the wire may leak electricity, which will affect the integrity of your fence. Your animals may not want to cross over the buried wire if they sense electricity beneath them.

Connect a piece of copper insulated lead-out wire to one of the strands by connecting the wire to the Braid™ with a poly rope splicer. Run the wire underground and re-attach it to the strand on the opposite side of the gate, using another poly rope splicer. To electrify additional strands, jump the electricity, vertically, from that strand to other strands to be electrified, as described above.

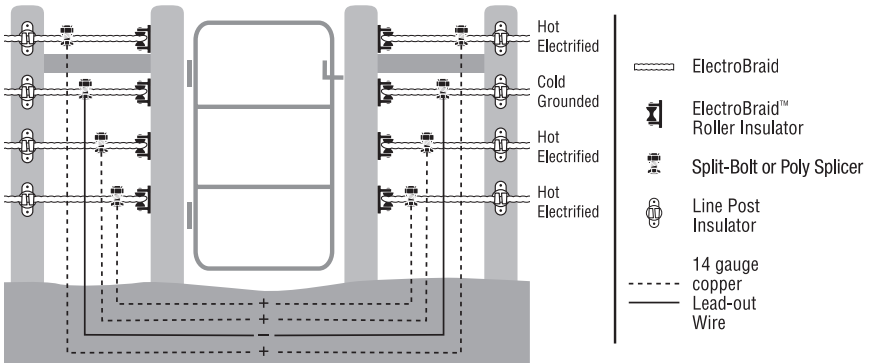
**TIP – When running underground wires be sure to apply tape to the wire that will serve as the negative wire. The use of tape is to allow you to identify the negative wire to avoid shorting out the entire system by accidentally cross wiring the negative and positive wires.**



# Standard Gate Wiring Diagram:



# Wiring Gates in areas of high snowfall



NOTE: In all applications where underground wire is NOT in a conduit (negative wires only) be sure to leave a small loop of extra wire underground to allow for ground heave due to frost and ground settling.

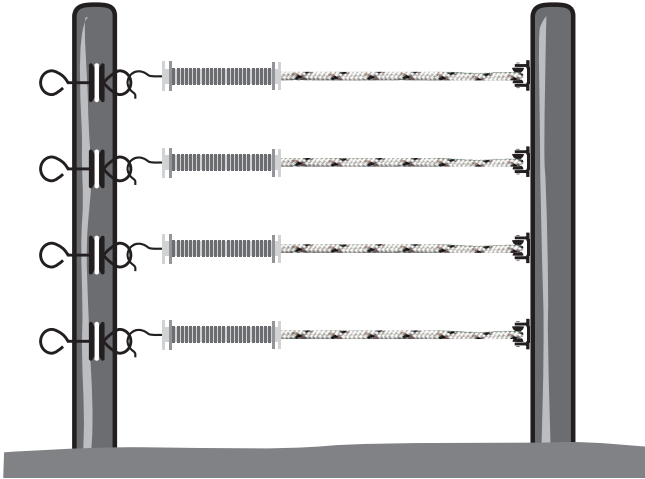
NOTE: When not using winter wiring configuration, be sure to apply a jumper wire to connect all hot strands together at all end posts.

# Wiring Cross Fencing Sections Paddock Division for Rotational Grazing

Unlike gates, there is no need to dig a trench. Simply connect the power from the perimeter fence to the section of cross fencing using lengths of copper lead-out wire.

# Using Gate Handles for Gate

Gate Handles make the perfect, cost effective, 15 to 20 foot wide gate for infrequent use only. They give easy access for bringing heavy equipment in or out of paddocks for seeding or fertilizing.



## Latch Side of Gate:

1. Wire the gate as described in the section “Wiring Gates”.
2. Install the gate handle anchor on the gate post at the same height as each strand of Braid™.
3. Use a short length of 14 gauge copper lead-out wire to jump from each strand of Braid™ to each gate anchor.

## Hinged Side of Gate:

1. Install an ElectroBraid® roller insulator on the “hinged” side of the gate post at the same height as the opposing strand.
2. Attach a length of Braid™ (about the width of the gate) to the Roller Insulator with a poly rope splicer.
3. Hook the Gate Handle onto the gate handle anchor. Secure the Braid™ to the spring inside the gate handle by taking two wraps around the spring and securing with a poly rope splicer.

Note: When using trees, mount gate anchor on a 2”x4” and attach it to the tree to prevent damage from tree growth.

# Testing the Voltage on Your Fence

Testing Your Fence with a 5 Light Tester or Digital Volt Meter

1. Turn your fence energizer OFF.
2. Disconnect the two lead out wires from your fence energizer.
3. Turn the fence energizer ON and read the voltage on your energizer with your voltmeter. (Simply apply the Voltmeter to the (+) terminal and the ground probe on the Voltmeter to the (-) terminal of the energizer). If less than 5,000 (5.0) volts, there is a problem with the energizer.
4. If the energizer is OK., turn it OFF before you reconnect the two lead out wires to the energizer, then turn the energizer back ON.
5. Now read the voltage on each strand of your fence near where the energizer is connected to the fence. Apply the ground probe on the Voltmeter to the grounded line and apply the Voltmeter to each of the other electrified Positive lines, one after the other. You should read at least 5,000 (5.0) volts on each electrified line. If less than 5,000 (5.0) volts, there is a problem with the lead-out wire or you have crossed wires during installation.
6. Now go to the point of your fence which is most distant from your ground system. First, read the voltage between the grounded line and each of the other electrified fence lines to confirm that the fence is wired properly with no electrical shorts. Most importantly, check the voltage between each electrified fence line and the soil under the fence. Place the ground probe on the Voltmeter about one and a half inches into the soil and test the actual voltage of each positive line. If less than 5,000 (5.0) volts, you have a problem with your ground system. See instructions on how to “Test the Earth Return System”.
7. Finally, check the voltage to the soil at any high points or dry areas to make sure you are getting at least 5,000 (5.0) volts. If less than 5,000 (5.0) volts, you will need to install additional ground rods.

## **REMEMBER: ALL READINGS SHOULD BE OVER 5,000 (5.0) VOLTS**

If any reading is less than 5,000 (5.0) volts, you need to troubleshoot and fix the problem. These simple tests will assure you that your ElectroBraid® fence is properly installed. Please monitor your fence on a regular schedule.

TIP: Test after rain when conditions are wet to best determine if there are any electrical shorts. Shorts are more easily detected in wet conditions.

TIP: Test when conditions are very dry to confirm that you have adequate grounding. In particular, test where the fence runs over high terrain or through areas that might be especially dry or have sandy, clay or rocky soil.

# Testing the Earth Return System of your fence

1. Turn the fence energizer OFF.
2. 300 or 400 feet from the fence energizer, create a short circuit of the current in the fence by laying two or three steel stakes or lengths of pipe against the lowest, hot line of the fence, preferably where the ground is damp. **DO NOT ALLOW CONTACT WITH THE GROUNDED LINE OF BRAID** – it is important that the electrical current flow freely from the electrified fence lines into the Earth Return system.
3. Turn the fence energizer ON.

## Using Your Digital Voltmeter...

4. Apply the voltmeter probe to one of your ground rods. Apply the ground pin to a small steel stake (such as a screwdriver) placed in the ground at least 3 ft from any ground rod.
5. The reading on the voltmeter should be 0.3 k volts (300 volts) or less. If it is greater than 300 volts, the ground system is inadequate. You may need more ground rods.

# Trouble Shooting

**No Respect:** If you find your horses are showing less respect for their fence than normal, it is very likely something is reducing the voltage on your fence, or the grounding of the fence is not what it should be.

Here are some things you should do:

- Follow the instructions under “Testing your Fence”.
- Check all electrical connections to ensure they are secure.
- Check that the ground rod clamps are secure and connector wire is intact.
- Walk the fence line to ensure nothing has happened to cause the fence to short out.
- Are your horses standing on ground that is so dry or frozen that they are insulated and prevented from getting a shock? Is this a general problem, or is it localized?
- If grounding is the problem, take steps to improve grounding.

**Loss of Tension:** If you detect a loss in tension, check the following:

- A post may have moved at a corner, end or gate.
- A poly rope splicer may have slipped and needs to be tightened.
- Broken insulator

# Dos & Don'ts – Safety and Maintenance

## To keep your horses safe, use good horse sense:

- Always introduce a horse to a new pasture. For your own safety, turn OFF the fence energizer so the horse you are leading won't get accidentally shocked and bolt. Lead the horse around the fence perimeter. Once the horse understands the boundaries of its new pasture, release the horse and turn the energizer back ON.
- Don't torment your horses with accidental electric shocks by putting water troughs close to your electric fence, hanging grain pails on your fence posts, or throwing hay near your electric fence.

## Fence Sense:

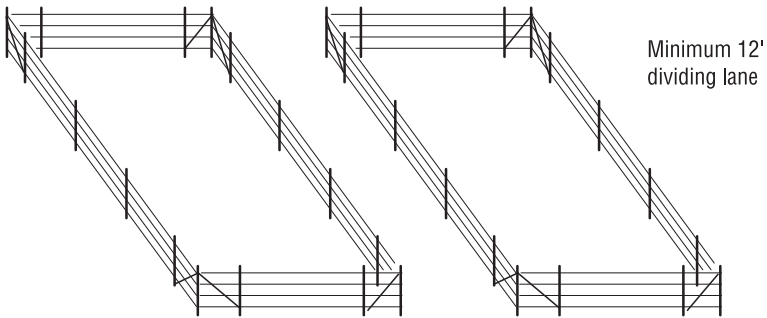
- Install your ElectroBraid® fence as recommended. Choose either four strands or at least a minimum of 3 strands of Braid™. Set the highest strand at approx withers height to your largest horse and the lowest strand accordingly based on your specific needs.
- Don't turn off your fence energizer to save electricity. The cost of electricity for a fence energizer is the same as a 100-watt light bulb – about a dollar a month.
- Regularly inspect your fence to ensure the Braid™ is taut and properly electrified.
- Thoroughly check the fence after rainy or stormy weather and during a drought.
- Take particular care to make sure your fence is well grounded. 95% of all electric fence problems are due to poor grounding. Check your installation manual, our website, or call us for advice.
- Always turn the energizer off before servicing the fence.
- When testing an electric fence with a voltmeter, wear rubber gloves or rubber-soled shoes to minimize any accidental electrical shock. Wet or sweaty hands or wet feet intensify electrical shocks.
- Use only one energizer per paddock or continuous fence line. Never use two energizers on the same fence.
- Use extreme caution if you are considering installing an electric fence near overhead lines or underground power lines.
- Do not stand beside a fence during an electrical storm.
- Use warning signs to mark an electric fence every 200-250 feet, check local by-laws.
- Never attempt to service your energizer. If it fails, seek professional assistance or send it to a certified repair center (see ElectroBraid.com for locations)
- ElectroBraid® is engineered for your horses' safety. Don't take shortcuts!

## Do not:

- Hang feed buckets on the fence;
- Drape water hoses over the fence;
- Stack feed or manure near the fence;
- Run water lines parallel to the fence;
- Allow feed or water barrels to be located too close to the fence;
- Place water trough near the fence.

## Hiring a Professional Fence Installer

ElectroBraid® is a do-it-yourself fence system. Nine out of ten ElectroBraid® customers install their fence themselves. If you want to hire a fence installer (perhaps only to install your fence posts and gates), may we suggest the following:

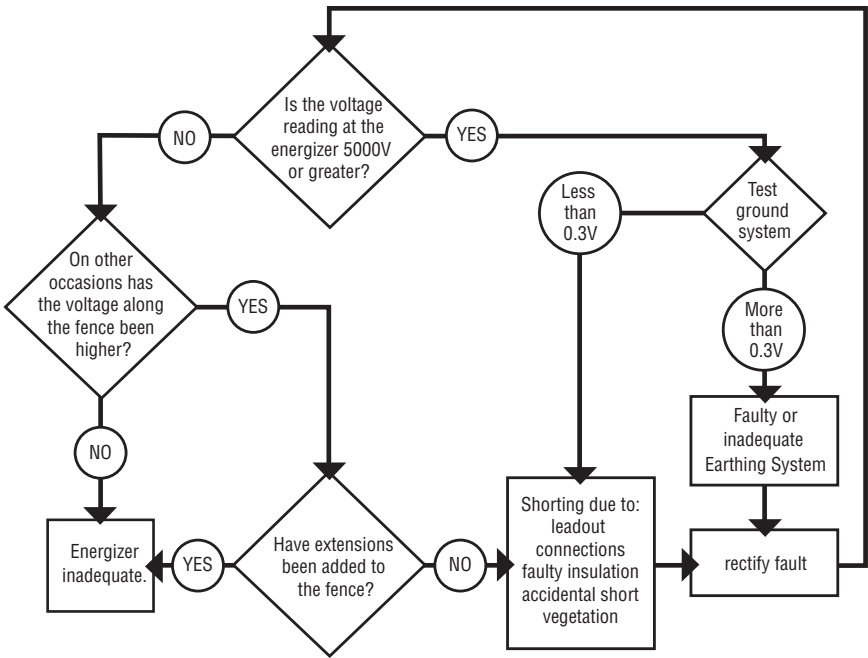


- Consult the ElectroBraid® Installation Manual and decide the fence design you want: post spacing, bracing, number of lines of Braid™, etc.
- Consult your local Yellow Pages or ask your friends for the names of two or three good, local fence installers.
- Ask for customer references and ask for addresses where you can inspect their work.
- Get at least a couple of cost estimates.

Hiring an Installer does not assure proper installation and the only assurance is the owner educating themselves so they can determine the final job personally. Please inspect your completed ElectroBraid® fence to be sure it has been installed as recommended in our Installation Manual, that it is solid, the Braid is taut, the electrical system is properly grounded, and producing at least 5000 volts.

Any Questions? Call us Toll-Free at 1-855-EBFENCE. We are always pleased to help.

# Fault Finding Chart



**Relax and enjoy your new  
ElectroBraid® Fence!**

**For detailed warranty information, please  
visit [ElectroBraid.com](http://ElectroBraid.com)**



**We welcome your comments and suggestions.  
Our Company Mission is to Build Safe Fences for Horses.**

# *ELECTRO* *BRAID*® FENCE



**Woodstream Corp.**  
**69 N. Locust Street**  
**Lititz, PA 17543**

**Contact us:**  
**ElectroBraid.com**  
**Call us toll free:**  
**855-EBFENCE (855-323-3623)**